

HERE TO SERVE YOU, TOGETHER

by

CAL·MIL

Please Remember
to Wash
Your Hands!



WE WOULD
LOVE TO
SERVE YOU

CAL·MIL

HEALTH & SAFETY LOOKBOOK 2020

#PRESENTATIONUPGRADED

AT CAL-MIL,
WE ARE PROUD
TO BE INDUSTRY
LEADERS &
INNOVATORS
AS WE CONTINUE
TO WORK
CLOSELY WITH
YOU TO
NAVIGATE
THROUGH THESE
EVOLVING TIMES.
WE REMAIN
DEDICATED TO
KEEPING YOUR
TEAM & GUESTS
SAFE. WE'RE
HERE TO HELP,
TEAM CAL-MIL

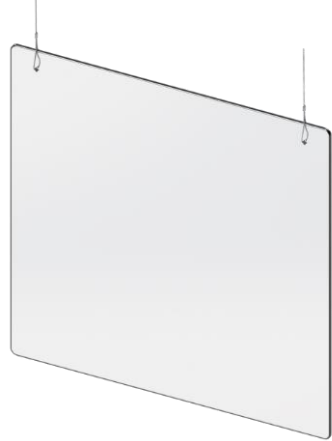


CAL·MIL

PROTECTIVE SAFETY SHIELDS



REGISTER MOUNTED SHIELD
Includes (4) screws and washers
for easy mounting.
ITEM 22131-24 | 24Wx24H
ITEM 22131-42 | 42Wx42H
ITEM 22133 | OPTIONAL 1/4"
DRILL BIT



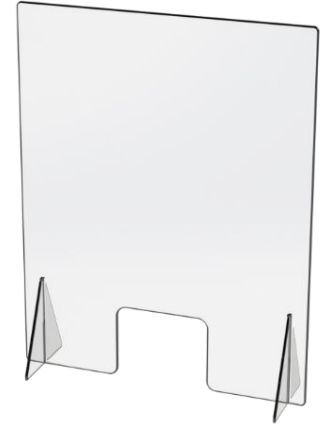
SUSPENDED SHIELD
Includes (2) 6ft lengths of cable
pre-attached to shield for easy
mounting.
ITEM 22132-24 | 24Wx24H
ITEM 22135-24 | 24Wx33H
ITEM 22132-42 | 42Wx24H



**U-STYLE FREESTANDING
SHIELD**
Includes (2) brackets and (2)
screws. Brackets include double
stick tape on bottom for a
non-intrusive mounting option.
ITEM 22136-24 | 24Wx33H



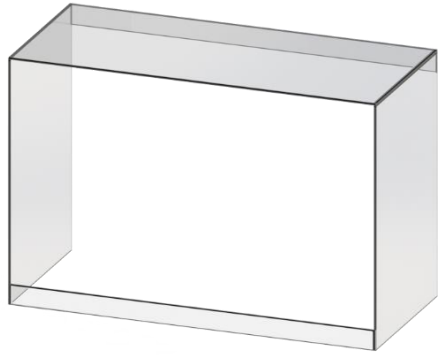
**STRAIGHT STYLE
FREESTANDING SHIELD**
Includes (1) bracket and (2)
screws. Brackets include double
stick tape on bottom for a
non-intrusive mounting option.
ITEM 22134-24 | 24Wx33H



**COUNTER SHIELD WITH
POS CUTOUT**
Includes (2) feet. Ships flat.
ITEM 22137-31 | 31.7Wx40H

*CUSTOM AVAILABLE WITH NO MINIMUMS

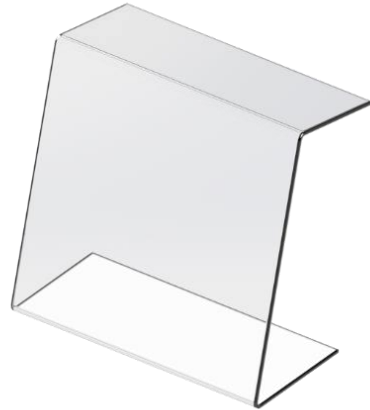
PORTABLE SNEEZEGUARDS



BOX STYLE GUARD

With supports on (2) sides, this unit can be used as 16Dx24H or flipped and used as 24Dx16H in seconds!

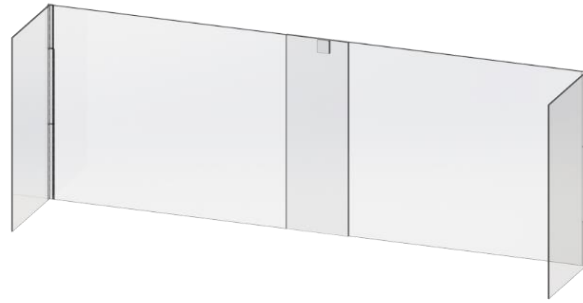
ITEM 22145-36 | 36Wx16Dx24H
ITEM 22145-48 | 48Wx16Dx24H



RISER GUARD

These mini sneezeguards fit directly under our risers & platters and are perfect for protecting your guests while keeping your presentation sleek and trend forward.

ITEM 22143-15 | 15.75Wx6Dx15H
ITEM 22143-23 | 23.75Wx6Dx15H



EXTENDABLE FOLDING GUARD

This unit is split in the middle. 2 separate 4ft panels allow you to change the width from 4ft to 8ft. Includes top clip to keep panels in place. Ships flat.

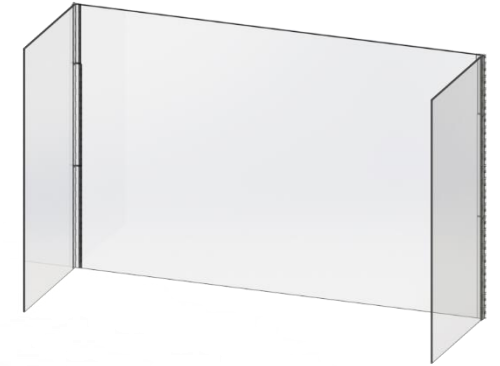
ITEM 22150 | 48Wx16Dx31H
Expands up to 93W



BOTTOM FOLDING GUARD

This sneezeguard includes hinges on the bottom and conveniently folds to transport and store easily. Ships flat.

ITEM 22153-23 | 23.5Wx31.5H
ITEM 22153-31 | 31.5Wx31.5H



SIDE FOLDING GUARD

This sneezeguard includes hinges on both sides and conveniently folds to transport and store easily. Ships flat.

ITEM 22148-48 | 48Wx16Dx31H

*CUSTOM AVAILABLE WITH NO MINIMUMS

PROTECTIVE RISER GUARD



ITEM 22143-15 | 15.75Wx6Dx15H
ITEM 22143-23 | 23.75Wx6Dx15H

SIDE FOLDING GUARD



ITEM 22148-48 | 48Wx16Dx31H

*CUSTOM AVAILABLE WITH NO MINIMUMS

BOX STYLE GUARD



ITEM 22145-36 | 36Wx16Dx24H
ITEM 22145-48 | 48Wx16Dx24H

EXTENDABLE FOLDING GUARD



ITEM 22150 | 48Wx16Dx31H

*CUSTOM AVAILABLE WITH NO MINIMUMS

SIERRA PROTECTIVE GUARD

This guard is an extension of our popular Sierra line and features a bronze metal frame for an enhanced presentation.

With the open back and arched design, this guard provides a roomy interior and allows you to add height and signage to your presentation.

Custom available with no minimums.

SIERRA GUARD
ITEM 3611-GUARD | 36Wx19.5Dx17.25H



CAL·MIL

MOBILE PARTITIONS



CAL·MIL

MOBILE PARTITIONS



Our Mobile Partition Barriers are the perfect solution to protect your guests throughout your space during service. These are sleek yet functional and can easily be combined for your layout of choice. Custom Available with quick turnarounds & NO MINIMUMS.



MOBILE PARTITIONS

Includes Full Aluminum Frame and (4) Locking Casters. Ships Flat.

ITEM 22142-31 | 31.5Wx12Dx80H

ITEM 22142-48 | 48Wx12Dx80H

Optional Bottom Panels

ITEM 22142-31BTMPNL | 31.5Wx27H

ITEM 22142-48BTMPNL | 48Wx27H

SOCIAL DISTANCE SIGNAGE



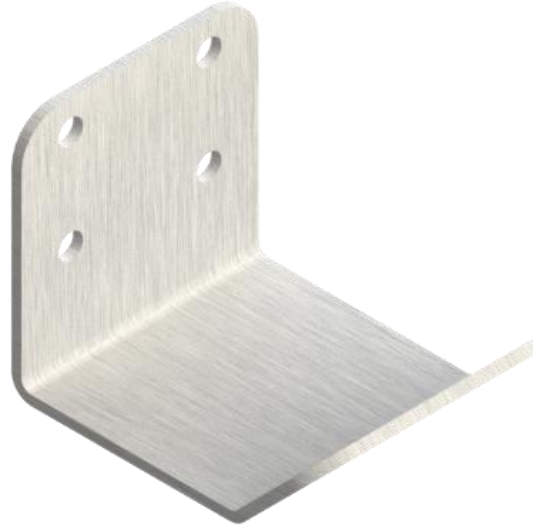
SOCIAL DISTANCING SIGNAGE

A-frame two-sided floor sign combines functionality and style into one modern piece. Easily customize with your logo or personalized verbiage.

ITEM 851-SD | 12Wx17.5Dx20H | Shown Above

ITEM 852-55SD | 12Wx17.5Dx20H | Stainless Steel Frame

HANDS-FREE PULL HOOK



HANDS-FREE PULL HOOK

This simple tool allows you to safely open doors without touching the handles.

Easy to Install.

ITEM 22147-55 | 3x2 5/8 x3H

SANITIZATION TABLE TENT



SANITIZATION TABLE TENT

Ensure that your guests feel safe and confident in your establishment with this self-standing table tent. Re-usable, durable, and easy to clean. Easily customize with your logo or personalized verbiage.

ITEM 22139-62 | 6Wx2H

MELAMINE BENTO BOX COVERS

Mix & Match using our white, black, and natural wood modular melamine serving platters for your next event. All trays are stackable and can be arranged together in countless variations.



COVERS

These bento box inspired covers allow you to keep your food protected while maintaining a stylish presentation.

Fit items 22099 (9x9) & 22100 (13x9)

ITEM 22099-CVR | 9X9

ITEM 22100-CVR | 13X9

HERE TO SERVE YOU, TOGETHER

by

CAL·MIL

WE WOULD
LOVE TO
SERVE YOU

CAL·MIL

**Custom Items & Full-Color
Branding Available with
NO MINIMUMS &
Quick Turnarounds**

Contact us:

contactcalmil@calmil.com

(800) 321-9069

Visit us online:

www.calmil.com

HEALTH & SAFETY LOOKBOOK 2020

#PRESENTATIONUPGRADED